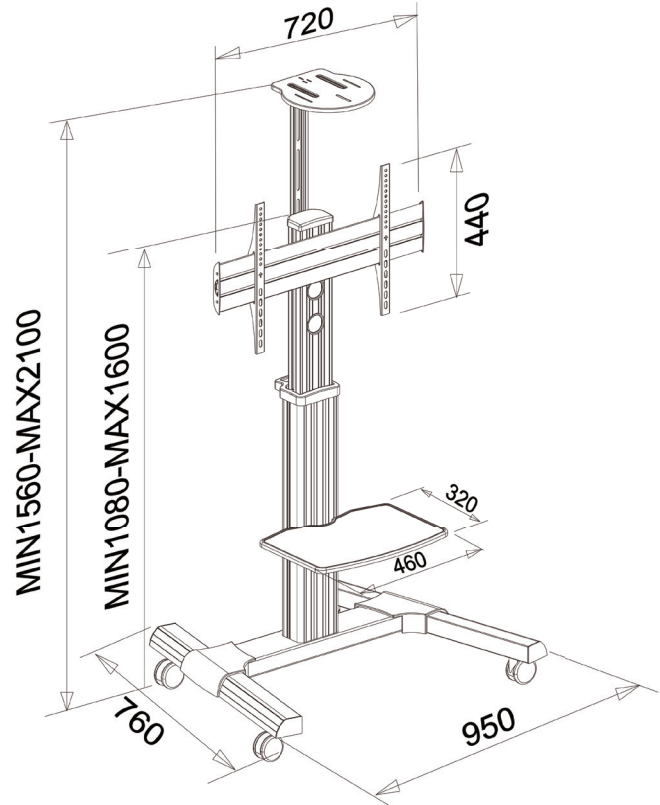


## FLOOR MOUNT

### LG-EMERALD 1



### Features

- Universal in design to fit 40" to 70" displays.
- The Floor mount can hold the weight up to 55 kg
- Integrated cable management system
- Adds a top tray and adjustable middle ledge to carry A/V equipment
- VESA compliant
- Colours available :- Black

### Specification

Max.load	121 lbs (55 kg)
VC Camera Mount	Yes
VESA	200x200 to 600x400
Display Sizes	40" to 70"
Material	Steel and Aluminium
Product Weight	22 kg
Shipping Weight	25 kg
Shipping Dimension (LxWxH)	1070x710x210 mm

\*Dimensions in mm